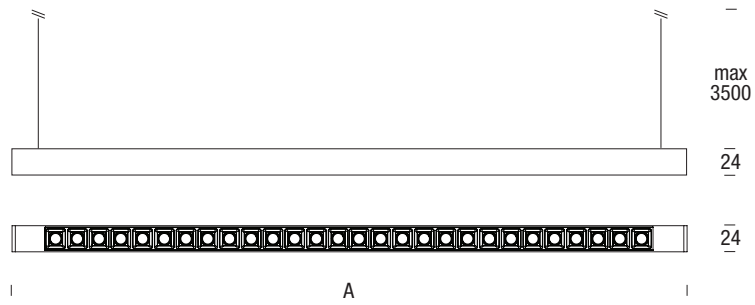


Sospensione_24



Diretta

Model	Power	Lumen output		Dimension A	Code to complete *
		downlight	uplight		
1100	20 W	2780 lm	-	1184 mm	ZM-SAG + ■ ▲ □
1700	30 W	4170 lm	-	1743 mm	ZM-SAI + ■ ▲ □
2200	40 W	5560 lm	-	2302 mm	ZM-SAL + ■ ▲ □

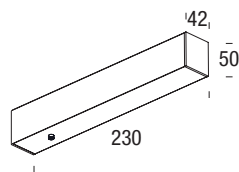
◆ Moduli SELV (V < 60 V) | IP40

UP to 139 lm/W | UP to UGR≥16 | L80/B20 80.000 h. | CRI>90 | UP to RG0 | SDCM<3
Lumen output values: luminaire luminous flux at 4000 K - optics 30°

* Select your option

CCT	Optic	Structure colour
2700 K 1	30° Bianco A	Bianco WWW
3000 K 2	30° Nero B	Nero BBB
4000 K 3	55° Bianco C	Grigio lunare GGG
	55° Nero D	Tabacco 000
	120° E	Champagne EEE
	Micro M	

ALIMENTAZIONE



Description	Code to complete *
Rosone 220-240Vac, alimentatore incluso	ZSS021 + ● ●
Rosone 220-240Vac, alimentatore incluso Solo: 2200 / Only: 2200	ZSS022 + ● ●

* Select your option

Colour	Control
Bianco W	On/Off NF
Nero B	DALI DA
Grigio lunare G	Push PU
Tabacco O	
Champagne E	

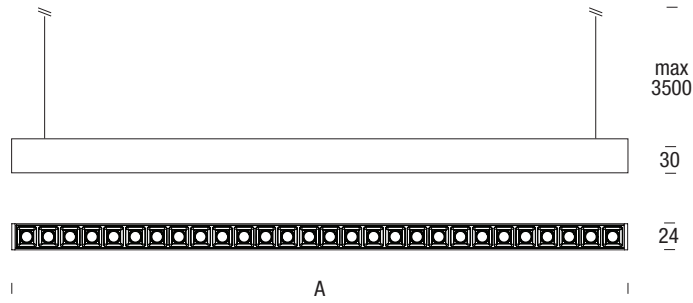


Description	Code to complete *
Incasso 220-240Vac, alimentatore incluso	ZSS041 + ○ ◇
Incasso 220-240Vac, alimentatore incluso Solo: 2200 / Only: 2200	ZSS042 + ○ ◇

* Select your option

Colour	Control
Bianco W	On/Off NF
Nero B	DALI DA
	Push PU

Sospensione_30



Diretta

Model	Power	Lumen output		Dimension	Code to complete *
		downlight	uplight		
1100	20 W	2780 lm	-	1125 mm	ZM-RAG + ■ ▲ □
1700	30 W	4170 lm	-	1684 mm	ZM-RAI + ■ ▲ □
2200	40 W	5560 lm	-	2243 mm	ZM-RAL + ■ ▲ □

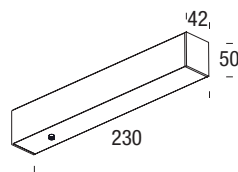
◆ Moduli SELV (V < 60 V) | IP40

UP to 139 lm/W | UP to UGR≥16 | L80/B20 80.000 h. | CRI>90 | UP to RG0 | SDCM<3
Lumen output values: luminaire luminous flux at 4000 K - optics 30°

* Select your option

CCT	Optic	Structure colour
2700 K 1	30° Bianco A	Bianco WW
3000 K 2	30° Nero B	Nero BB
4000 K 3	55° Bianco C	Grigio lunare GG
	55° Nero D	Tabacco OO
	120° E	Champagne EE
	Micro M	

ALIMENTAZIONE



Description	Code to complete *
Rosone 220-240Vac, alimentatore incluso	ZSS021 + ● ●
Rosone 220-240Vac, alimentatore incluso Solo: 2200 / Only: 2200	ZSS022 + ● ●

* Select your option

Colour	Control
Bianco W	On/Off NF
Nero B	DALI DA
Grigio lunare G	Push PU
Tabacco O	
Champagne E	

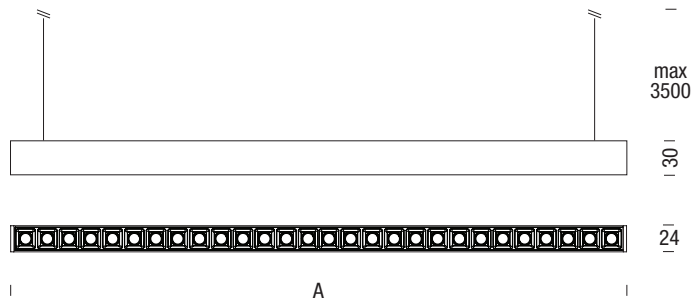


Description	Code to complete *
Incasso 220-240Vac, alimentatore incluso	ZSS041 + ○ ◇
Incasso 220-240Vac, alimentatore incluso Solo: 2200 / Only: 2200	ZSS042 + ○ ◇

* Select your option

Colour	Control
Bianco W	On/Off NF
Nero B	DALI DA
	Push PU

Sospensione_30



Diretta/Indiretta

Model	Power	Lumen output		Dimension A	Code to complete *
		downlight	uplight		
1100	20+10 W	2780 lm	850 lm	1125 mm	ZM-RBG + ■ ▲ □
1700	30+10 W	4170 lm	850 lm	1684 mm	ZM-RBI + ■ ▲ □
2200	40+20 W	5560 lm	1700 lm	2243 mm	ZM-RBL + ■ ▲ □

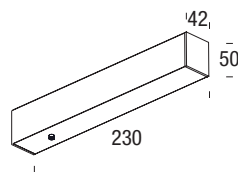
◆ Moduli SELV (V < 60 V) | IP40

UP to 139 lm/W | UP to UGR≥16 | L80/B20 80.000 h. | CRI>90 | UP to RG0 | SDCM<3
Lumen output values: luminaire luminous flux at 4000 K - optics 30°

* Select your option

CCT	■	Optic	▲	Structure colour	□
2700 K	1	30° Bianco	A	Bianco	WW
3000 K	2	30° Nero	B	Nero	BB
4000 K	3	55° Bianco	C	Grigio lunare	GG
		55° Nero	D	Tabacco	OO
		120°	E	Champagne	EE
		Micro	M		

ALIMENTAZIONE



Description	Code to complete *
Rosone 220-240Vac, alimentatore incluso	ZSS021 + ● ●●
Rosone 220-240Vac, alimentatore incluso Solo: 2200 / Only: 2200	ZSS022 + ● ●●

* Select your option

Colour	●	Control	●●
Bianco	W	On/Off	NF
Nero	B	DALI	DA
Grigio lunare	G	Push	PU
Tabacco	O		
Champagne	E		

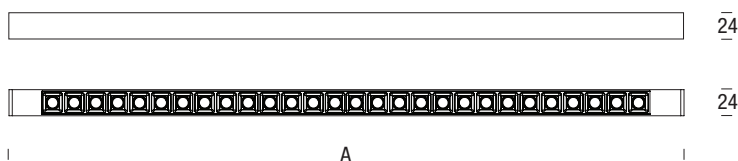


Incasso 220-240Vac, alimentatore incluso	ZSS041 + ○ ○◇
Incasso 220-240Vac, alimentatore incluso Solo: 2200 / Only: 2200	ZSS042 + ○ ○◇

* Select your option

Colour	○	Control	◇
Bianco	W	On/Off	NF
Nero	B	DALI	DA
		Push	PU

Soffitto/Parete 24



Diretta

Model	Power	Lumen output	Dimension	Code to complete*
A				
300	5 W	695 lm	346 mm	ZM-CAD + ■ ▲ □
600	10 W	1390 lm	625 mm	ZM-CAE + ■ ▲ □
900	15 W	2085 lm	901 mm	ZM-CAF + ■ ▲ □
1100	20 W	2780 lm	1184 mm	ZM-CAG + ■ ▲ □
1400	25 W	3475 lm	1463 mm	ZM-CAH + ■ ▲ □

◆ Moduli SELV (V < 60 V) | IP40

UP to 139 lm/W | UP to UGR≥16 | L80/B20 80.000 h. | CRI>90 | UP to RG0 | SDCM<3
Lumen output values: luminaire luminous flux at 4000 K - optics 30°

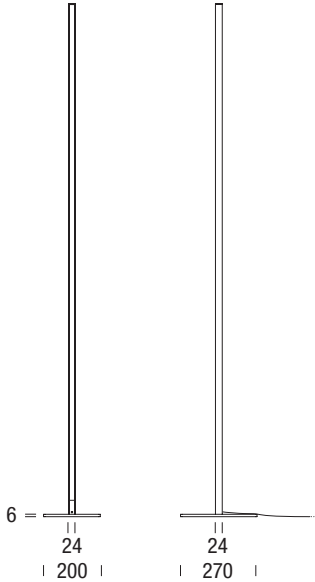
* Select your option

CCT	■	Optic	▲	Structure colour	□
2700 K	1	30° Bianco	A	Bianco	WWW
3000 K	2	30° Nero	B	Nero	BBB
4000 K	3	55° Bianco	C	Grigio lunare	GGG
		55° Nero	D	Tabacco	000
		120°	E	Champagne	EEE
		Micro	M		

ALIMENTAZIONE

Description	Code to complete
Alimentatori	On/Off
220-240Vac, alimentatore incluso	DALI/PUSH
	SLE0164
	SLE0166

Da Terra



Dimmer a pedale con memoria
Foot dimmer with memory

Model	Power	Lumen output	Code to complete *
1900	34 W	2486 lm	ZM-EON + ■ △ □ ●
2400	48 W	3552 lm	ZM-E00 + ■ △ □ ●

220÷240Vac | IP40
 UP to 74 lm/W | opal diffuser | L70/B50 > 36.000 h. | CRI>90 | RG0
Lumen output values: luminaire luminous flux at 4000 K

*** Select your option**

CCT	Optic	Control	Structure colour
2700 K	120°	Dimmer	Bianco
3000 K	E	Alexa	Nero
4000 K			Grigio lunare
Tunable-Alexa			Tabacco
			Champagne

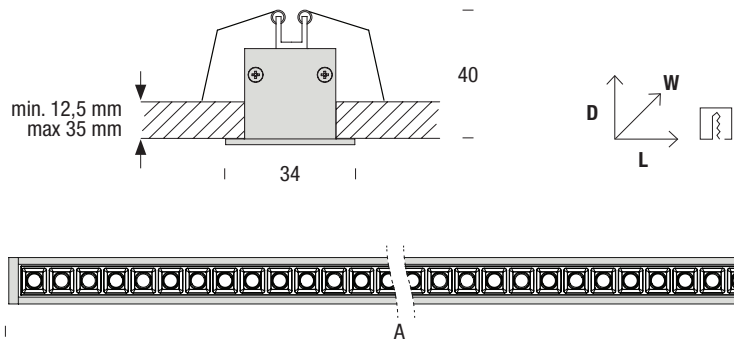
BASE



Description	Code to complete *
Base	ZM-EP + ■■

Base colour	
Bianco	WW
Nero	BB
Grigio lunare	GG
Tabacco	OO
Champagne	EE

Incasso_Trimmed



Diretta

Model	Power	Hole size (mm)			Dimension A	Lumen output	Code to complete *
		Width	Length	Depth			
60	4 W	26	66	90	75 mm	504 lm	ZM-AA + ■ ▲ □
120	7 W	26	126	90	134 mm	882 lm	ZM-AB + ■ ▲ □
180	10 W	26	186	90	194 mm	1260 lm	ZM-AC + ■ ▲ □
300	5 W	26	286	90	295 mm	695 lm	ZM-AD + ■ ▲ □
600	10 W	26	566	90	574 mm	1390 lm	ZM-AE + ■ ▲ □
1100	20 W	26	1127	90	1133 mm	2780 lm	ZM-AG + ■ ▲ □
600x600	20 W	-	-	-	Optic 573x594 120°/Micro 585x585	2780 lm	ZM-AM + ■ ▲ □

◆ Moduli SELV (V < 60 V) | IP40

UP to 139 lm/W | UP to UGR≥16 | L80/B20 80.000 h. | CRI>90 | UP to RG0 | SDCM<3
Lumen output values: luminaire luminous flux at 4000 K - optics 30°

* Select your option

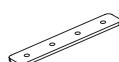
CCT	■	Optic	▲	Structure colour	□
2700 K	1	30° Bianco	A	White	WW
3000 K	2	30° Nero	B	Black	BB
4000 K	3	55° Bianco	C		
		55° Nero	D		
		120°	E		
		Micro	M		

ALIMENTAZIONE

Description	Code to complete
Alimentatori	On/Off SLE0164
220-240Vac, alimentatore incluso	DALI/PUSH SLE0166

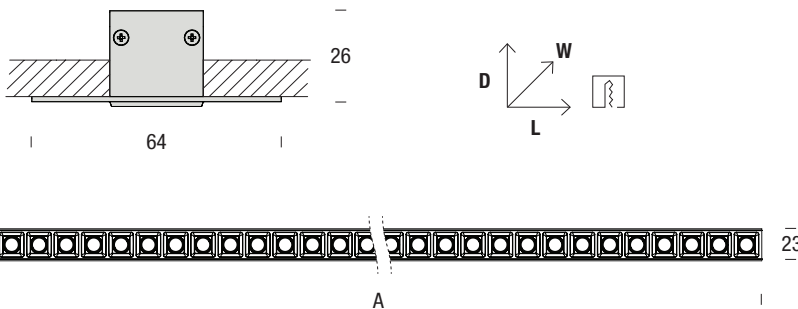


ACCESSORI



Description	Code
Staffa giunzione meccanica	ZSS03303

Incasso_Trimless



Diretta

Model	Power	Hole size (mm)			Dimension A	Lumen output	Code to complete *
		Width	Length	Depth			
60	4 W	28	68	30	60 mm	504 lm	ZM-BA + ■ ▲ □
120	7 W	28	128	30	120 mm	882 lm	ZM-BB + ■ ▲ □
180	10 W	28	188	30	180 mm	1260 lm	ZM-BC + ■ ▲ □
300	5 W	28	288	30	280 mm	695 lm	ZM-BD + ■ ▲ □
600	10 W	28	568	30	560 mm	1390 lm	ZM-BE + ■ ▲ □
1100	20 W	28	1125	30	1119 mm	2780 lm	ZM-BG + ■ ▲ □
600x600	20 W	-	-	-	Optic 559x579 120°/Micro 561x561	2780 lm	ZM-BM + ■ ▲ □

◆ Moduli SELV (V < 60 V) | IP40

UP to 139 lm/W | UP to UGR≥16 | L80/B20 80.000 h. | CRI>90 | UP to RG0 | SDCM<3
Lumen output values: luminaire luminous flux at 4000 K - optics 30°

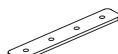
* Select your option

CCT	■	Optic	▲	Structure colour	□
2700 K	1	30° Bianco	A	White	WW
3000 K	2	30° Nero	B	Black	BB
4000 K	3	55° Bianco	C		
		55° Nero	D		
		120°	E		
		Micro	M		

ALIMENTAZIONE

Description	Code to complete
Alimentatori	On/Off SLE0164
220-240Vac, alimentatore incluso	DALI/PUSH SLE0166
<input type="checkbox"/>	

ACCESSORI

Description	Code
 Staffa giunzione meccanica	ZSS03303