

Ace Acoustic LED

AA-SB + ■ ▲

DESCRIPTION

The ACOUSTIC version integrates an element with sound-absorbing characteristics to the ACE light unit. The diffuser, made of high density polyethylene, is suitable to make the interior acoustics of a room more welcoming and improve the acoustic comfort. The thermoformed material is totally recyclable, environmentally friendly, does not use chemicals, adhesives and dyes. Ace ACOUSTIC comes in 3 sizes: 45, 60 and 90cm. Four colors in the range: gray, red, green and blue



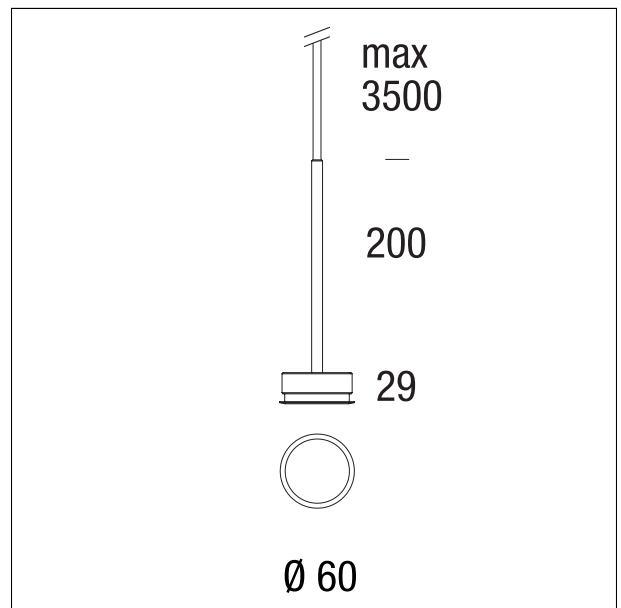
PRODUCTS CHARACTERISTICS

installation type
material
Finish
Colour
Power
Lumen output - Full emission
Efficacy

Pendant
aluminum
Anodised
Black
9,5 W
max 700 lm
max 74 lm/W

* Code to complete

Colour	■	CCT	▲
Black	B	2700 K	1
		3000 K	2
		4000 K	3



ELECTRICAL CHARACTERISTICS

feeding
Insulation class

350mA
Class III

MECHANICAL CHARACTERISTICS

product IP rate

IP20

Ace Acoustic LED

AA-SB + ■ ▲

LED SOURCE DETAILS

led source type	SMD Led
Light source coding	RG0
Light temperature	2700 K
CRI	CRI > 80
SDCM	

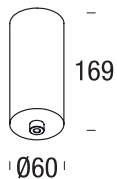
LIGHTING DETAILS

emission	downlight
optic	120°

COMPONENTS

Rosone - 220-240Vac, alimentatore incluso

BSS02AB + ■ ▲



* Code to complete

Colour	■	Control	▲
nero	B	DALI	DA
bianco	W	On/Off	NF
		Push	PU

Rosone Trimmed - 220-240Vac, alimentatore incluso

BSS04AB + ■ ▲



Ø85

* Code to complete

Colour	■	Control	▲
nero	B	DALI	DA
bianco	W	On/Off	NF
		Push	PU

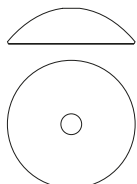
Ⓛ Ⓜ Ø70

Ace Acoustic LED

AA-SB + ■ ▲

Calotta Ø 45 cm

BSS01A + ■

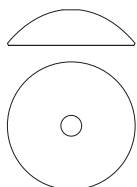


* Code to complete

Colour	■
Blu	B
Grigio	G
Rosso	R
Verde	Y

Calotta Ø 60 cm

BSS01B + ■



* Code to complete

Colour	■
Blu	B
Grigio	G
Rosso	R
Verde	Y