

### Ace Acoustic E27

AB-S +

#### DESCRIPTION

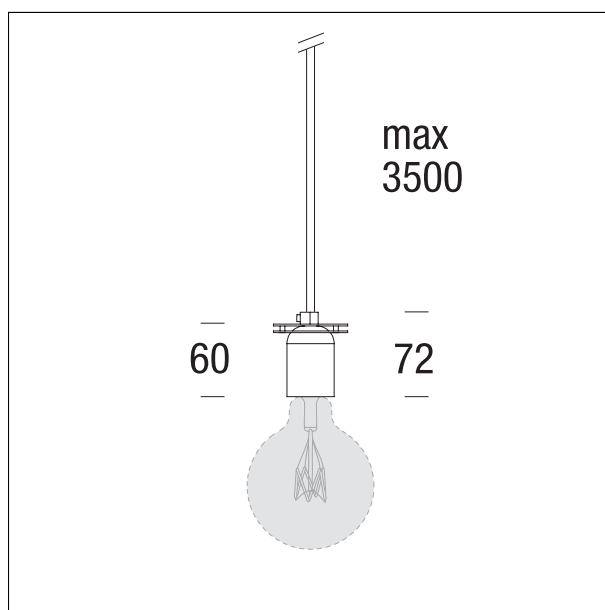
The ACOUSTIC version integrates an element with sound-absorbing characteristics to the ACE light unit. The diffuser, made of high density polyethylene, is suitable to make the interior acoustics of a room more welcoming and improve the acoustic comfort. The thermoformed material is totally recyclable, environmentally friendly, does not use chemicals, adhesives and dyes. Ace ACOUSTIC comes in 3 sizes: 45, 60 and 90cm. Four colors in the range: gray, red, green and blue



#### PRODUCTS CHARACTERISTICS

installation type  
material  
Finish  
Colour  
Power

**Pendant**  
**aluminum**  
**Anodised**  
**Black**  
**1x Max 40 W**



#### ELECTRICAL CHARACTERISTICS

feeding  
Insulation class

**220÷240**  
**Class III**

#### MECHANICAL CHARACTERISTICS

product IP rate

**IP20**

### Ace Acoustic E27

AB-S +

#### LED SOURCE DETAILS

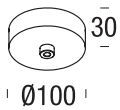
Light source connection

**E27**

#### COMPONENTS

Rosone - 220-240Vac

BSS02B + ■



\* Code to complete

Colour	<span style="color: red;">■</span>
nero	B
bianco	W

Rosone Trimmed - 220-240Vac

BSS04B + ■



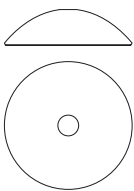
\* Code to complete

Colour	<span style="color: red;">■</span>
nero	B
bianco	W



Calotta Ø 45 cm

BSS01A + ■



\* Code to complete

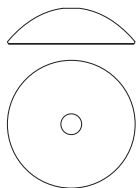
Colour	<span style="color: red;">■</span>
Blu	B
Grigio	G
Rosso	R
Verde	Y

### Ace Acoustic E27

AB-S +

Calotta Ø 60 cm

BSS01B + ■

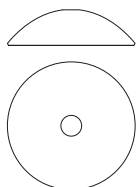


\* Code to complete

Colour	<span style="color: red;">■</span>
Blu	B
Grigio	G
Rosso	R
Verde	Y

Calotta Ø 90 cm

BSS01C + ■



\* Code to complete

Colour	<span style="color: red;">■</span>
Blu	B
Grigio	G
Rosso	R
Verde	Y