

### Ace Pendant

BA-SB + ■ ▲

#### DESCRIPTION

ACE responds to market trends in the optimal pursuit of balance between efficiency, aesthetics, and technology. Simple forms merge with the most advanced electronic offerings for contemporary lighting. ACE boasts innovative features, refined and current finishes. It can be installed as a suspension, wall, or ceiling fixture and can be combined with other components to expand its range of applications. It comes in two sizes, with Led boards of different power, available in matte black, gold, and bronze finishes. Both On/Off and dimmable solutions are available.



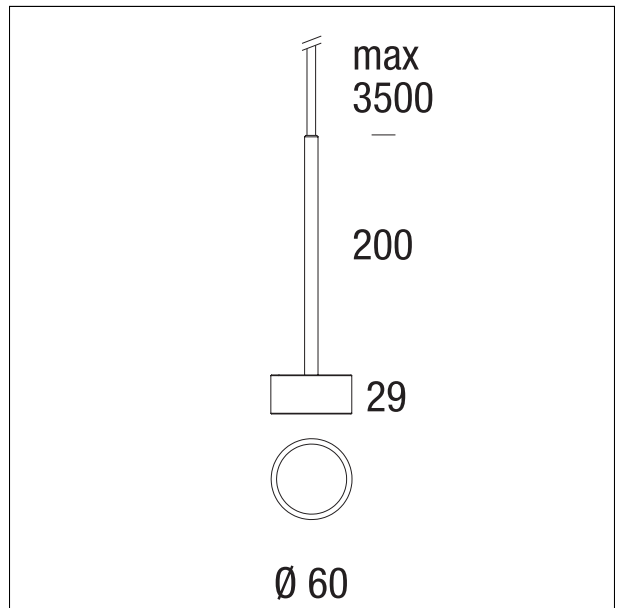
#### PRODUCTS CHARACTERISTICS

installation type  
material  
Finish  
Colour  
Power  
Lumen output - Full emission  
Efficacy

**Pendant**  
**aluminum**  
**Anodised**  
**Black**  
**9,5 W**  
**max 700 lm**  
**max 74 lm/W**

\* Code to complete

Colour	■	CCT	▲
Black	B		1
Gold	S		2
Bronze	Z		3



#### ELECTRICAL CHARACTERISTICS

feeding  
Insulation class

**350mA**  
**Class III**

#### MECHANICAL CHARACTERISTICS

product IP rate

**IP20**

### Ace Pendant

BA-SB + ■ ▲

#### LED SOURCE DETAILS

led source type	<b>SMD Led</b>
Light source coding	<b>RG0</b>
CRI	<b>CRI &gt; 80</b>
SDCM	

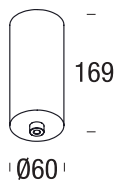
#### LIGHTING DETAILS

emission	<b>downlight</b>
optic	<b>120°</b>

#### COMPONENTS

Rosone - 220-240Vac, alimentatore incluso

BSS02AB + ■ ▲



Colour	■	Control	▲
nero	B	DALI	DA
bianco	W	On/Off	NF
		Push	PU

\* Code to complete

Rosone Trimmed - 220-240Vac, alimentatore incluso

BSS04AB + ■ ▲



Colour	■	Control	▲
nero	B	DALI	DA
bianco	W	On/Off	NF
		Push	PU

\* Code to complete

### Ace Pendant

BA-SB + ■ ▲

---