

### Ace Pendant

BA-SC + ■ ▲

#### DESCRIPTION

ACE responds to market trends in the optimal pursuit of balance between efficiency, aesthetics, and technology. Simple forms merge with the most advanced electronic offerings for contemporary lighting. ACE boasts innovative features, refined and current finishes. It can be installed as a suspension, wall, or ceiling fixture and can be combined with other components to expand its range of applications. It comes in two sizes, with Led boards of different power, available in matte black, gold, and bronze finishes. Both On/Off and dimmable solutions are available.

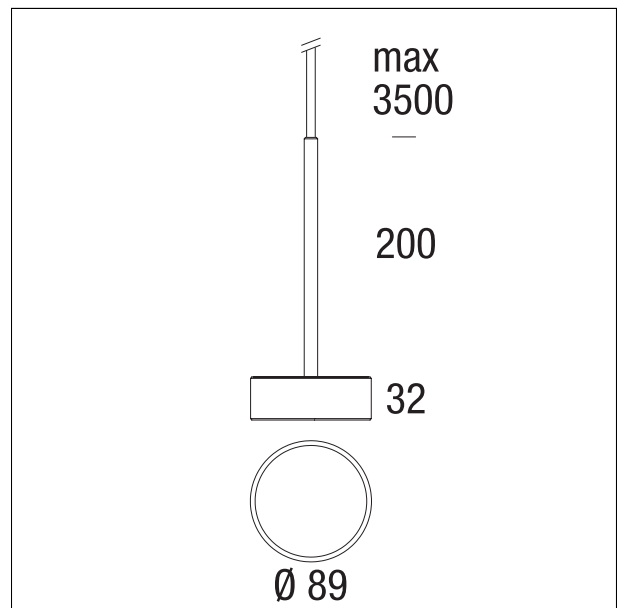


#### PRODUCTS CHARACTERISTICS

installation type	<b>Pendant</b>
material	<b>aluminum</b>
Finish	<b>Anodised</b>
Colour	<b>Black</b>
Power	<b>12 W</b>
Lumen output - Full emission	<b>max 1050 lm</b>
Efficacy	<b>max 88 lm/W</b>

\* Code to complete

Colour	■	CCT	▲
Black	B		1
Gold	S		2
Bronze	Z		3



#### ELECTRICAL CHARACTERISTICS

feeding	<b>400mA</b>
Insulation class	<b>Class III</b>

#### MECHANICAL CHARACTERISTICS

product IP rate	<b>IP20</b>
-----------------	-------------

### Ace Pendant

BA-SC + ■ ▲

#### LED SOURCE DETAILS

led source type	<b>SMD Led</b>
Light source coding	<b>RG0</b>
CRI	<b>CRI &gt; 80</b>
SDCM	

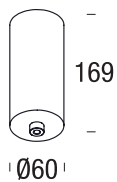
#### LIGHTING DETAILS

emission	<b>downlight</b>
optic	<b>120°</b>

#### COMPONENTS

Rosone - 220-240Vac, alimentatore incluso

BSS02AC + ■ ▲



\* Code to complete

Colour	■	Control	▲
nero	B	DALI	DA
bianco	W	On/Off	NF
		Push	PU

Rosone Trimmed - 220-240Vac, alimentatore incluso

BSS04AC + ■ ▲



\* Code to complete

Colour	■	Control	▲
nero	B	DALI	DA
bianco	W	On/Off	NF
		Push	PU



### Ace Pendant

BA-SC + ■△

---