

Backlit Panel

BAC56145CA - 60 x 120 cm. - 60 W - 4000 K - UGR <19 / CRI > 80

DESCRIPTION

Backlit Panel is a latest generation LED fixture that stands out for its economy, luminous efficacy and reliability over time. The LED sources located on the back of the appliance emit light directly downwards to obtain the best performance in optimal operating conditions, making sources lifetime as longer as possible. Backlit can be installed as a recessed lighting panel for modular false ceilings or as pendant or ceiling mounted if matched with Modular System's boxes solutions.

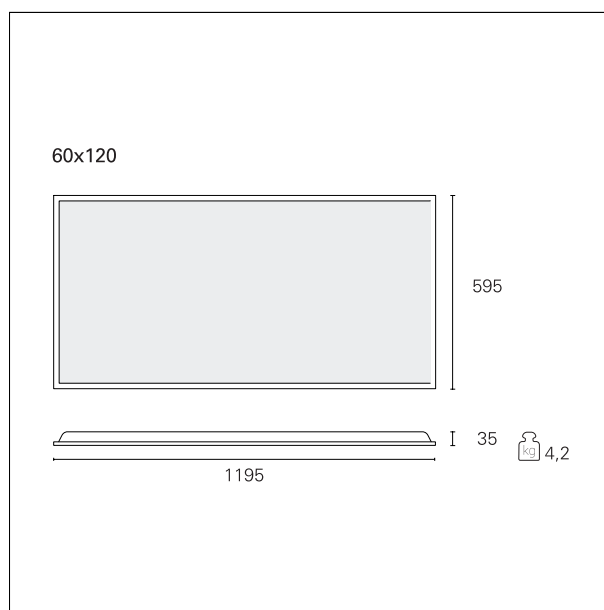


Switch

Casambi

PRODUCTS CHARACTERISTICS

installation type	Light Panels
material	Extruded aluminum
Color	White
Power	60 W
Lumen output - Full emission	5080 lm
Efficacy	85 lm/W
Dimensions	60 x 120 cm.
net weight	4,2 kg.



ELECTRICAL CHARACTERISTICS

feeding	220÷240 V
driver	Casambi
Insulation class	Class II

MECHANICAL CHARACTERISTICS

product IP rate	IP20
IK	IK03

Backlit Panel

BAC56145CA - 60 x 120 cm. - 60 W - 4000 K - UGR <19 / CRI > 80

LED SOURCE DETAILS

led source type	SMD Led
Photobiological risk	RG 0 Exempt (IEC 62471)
Service lifetime	L80 / B20 - 50.000 h.
Light temperature	4000 K
CRI	CRI > 80

DRIVER CHARACTERISTICS

driver	Casambi
--------	----------------

LIGHTING DETAILS

Beam angle - direct	90°
UGR	< 19

PHOTOMETRIC

