

### Backlit Panel

**BAC56145PD** - 60 x 120 cm. - 60 W - 4000 K - UGR <19 / CRI > 80

#### DESCRIPTION

Backlit Panel is a latest generation LED fixture that stands out for its economy, luminous efficacy and reliability over time. The LED sources located on the back of the appliance emit light directly downwards to obtain the best performance in optimal operating conditions, making sources lifetime as longer as possible. Backlit can be installed as a recessed lighting panel for modular false ceilings or as pendant or ceiling mounted if matched with Modular System's boxes solutions.

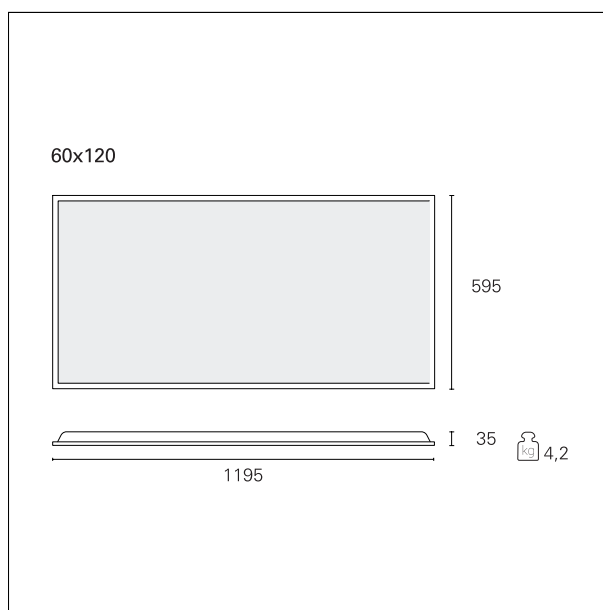


Switch

**Pan Digital**

#### PRODUCTS CHARACTERISTICS

installation type	<b>Light Panels</b>
material	<b>Extruded aluminum</b>
Color	<b>White</b>
Power	<b>60 W</b>
Lumen output - Full emission	<b>5080 lm</b>
Efficacy	<b>85 lm/W</b>
Dimensions	<b>60 x 120 cm.</b>
net weight	<b>4,2 kg.</b>



#### ELECTRICAL CHARACTERISTICS

feeding	<b>220÷240 V</b>
driver	<b>Pan Digital</b>
Insulation class	<b>Class II</b>

#### MECHANICAL CHARACTERISTICS

product IP rate	<b>IP20</b>
IK	<b>IK03</b>

### Backlit Panel

**BAC56145PD** - 60 x 120 cm. - 60 W - 4000 K - UGR <19 / CRI > 80

#### LED SOURCE DETAILS

led source type	<b>SMD Led</b>
Photobiological risk	<b>RG 0 Exempt ( IEC 62471 )</b>
Service lifetime	<b>L80 / B20 - 50.000 h.</b>
Light temperature	<b>4000 K</b>
CRI	<b>CRI &gt; 80</b>

#### DRIVER CHARACTERISTICS

driver	<b>Pan Digital</b>
--------	--------------------

#### LIGHTING DETAILS

Beam angle - direct	<b>90°</b>
UGR	<b>&lt; 19</b>

#### PHOTOMETRIC

