

### Ace Track Acoustic LED

CB-SB + ■ ▲ ●

#### DESCRIPTION

In the TRACK 48V installations, ACE and ACE\_ Acoustic suspensions are included. These two elements expand the installation possibilities. The 9,5W LED module is the ideal solution for ambient lighting, desk lighting, and integrated applications with 48V spots.

Switch On/Off

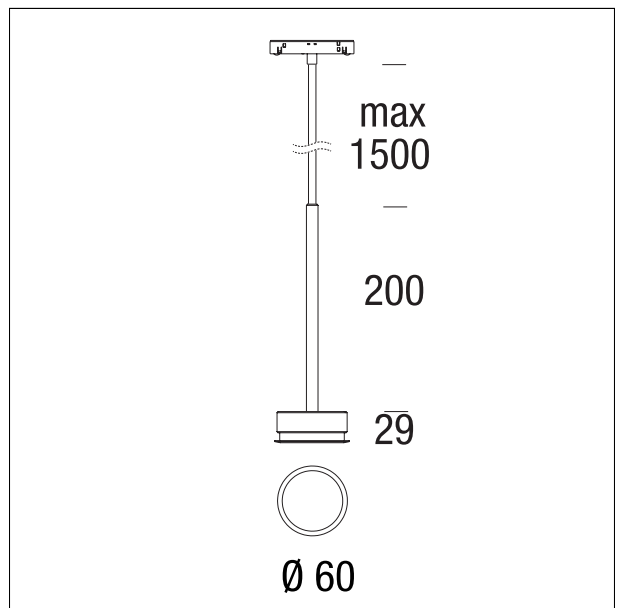


#### PRODUCTS CHARACTERISTICS

installation type	<b>sospensione</b>
material	<b>alluminio</b>
Finish	<b>anodizzato</b>
Colour	<b>Nero</b>
Power	<b>9,5 W</b>
Lumen output - Full emission	<b>max 700 lm</b>
Efficacy	<b>max 74 lm/W</b>

\* Code to complete

<b>Colour</b> ■	<b>CCT</b> ▲	<b>Control</b> ●
Nero B	2700 K 1	On/Off NV
	3000 K 2	DALI DV
	4000 K 3	



#### ELECTRICAL CHARACTERISTICS

feeding	<b>48V</b>
Insulation class	<b>Classe III</b>

#### MECHANICAL CHARACTERISTICS

product IP rate	<b>IP20</b>
-----------------	-------------

### Ace Track Acoustic LED

CB-SB + ■ ▲ ●

#### LED SOURCE DETAILS

led source type	<b>SMD Led</b>
Light source coding	<b>RG0</b>
Light temperature	<b>2700 K</b>
CRI	<b>CRI &gt; 80</b>
SDCM	

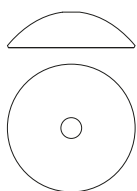
#### LIGHTING DETAILS

emission	<b>downlight</b>
optic	<b>120°</b>

#### COMPONENTS

Calotta Ø 45 cm

BSS01A + ■

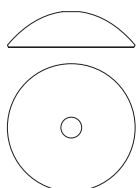


\* Code to complete

<b>Colour</b>	■
Blu	B
Grigio	G
Rosso	R
Verde	Y

Calotta Ø 60 cm

BSS01B + ■



\* Code to complete

<b>Colour</b>	■
Blu	B
Grigio	G
Rosso	R
Verde	Y

### Ace Track Acoustic LED

CB-SB + ■ △ ●

---