

Ace Track

CC-S+ ■△●

DESCRIPTION

In the TRACK 48V installations, ACE and ACE_ Acoustic suspensions are included. These two elements expand the installation possibilities. The 9,5W LED module is the ideal solution for ambient lighting, desk lighting, and integrated applications with 48V spots.

Switch

On/Off



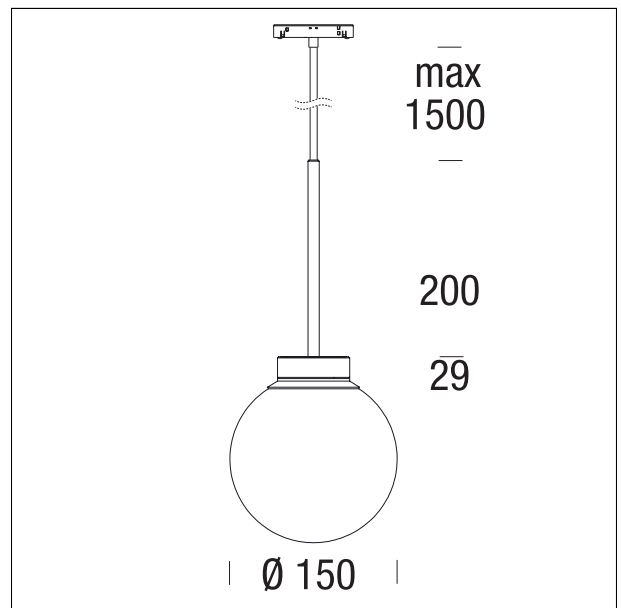
PRODUCTS CHARACTERISTICS

installation type
material
Finish
Colour
Power
Lumen output - Full emission
Efficacy

sospensione
alluminio
anodizzato
Nero
9,5 W
max 560 lm
max 59 lm/W

* Code to complete

Colour	■	CCT	△	Control	●
Nero	B	2700 K	1	On/Off	NV
		3000 K	2	DALI	DV
		4000 K	3		



ELECTRICAL CHARACTERISTICS

feeding **48V**
Insulation class **Classe III**

MECHANICAL CHARACTERISTICS

product IP rate **IP20**

Ace Track

CC-S+ ■△●

LED SOURCE DETAILS

led source type	SMD Led
Light source coding	RG0
Light temperature	2700 K
CRI	CRI > 80
SDCM	

LIGHTING DETAILS

emission	diffusa
optic	180°